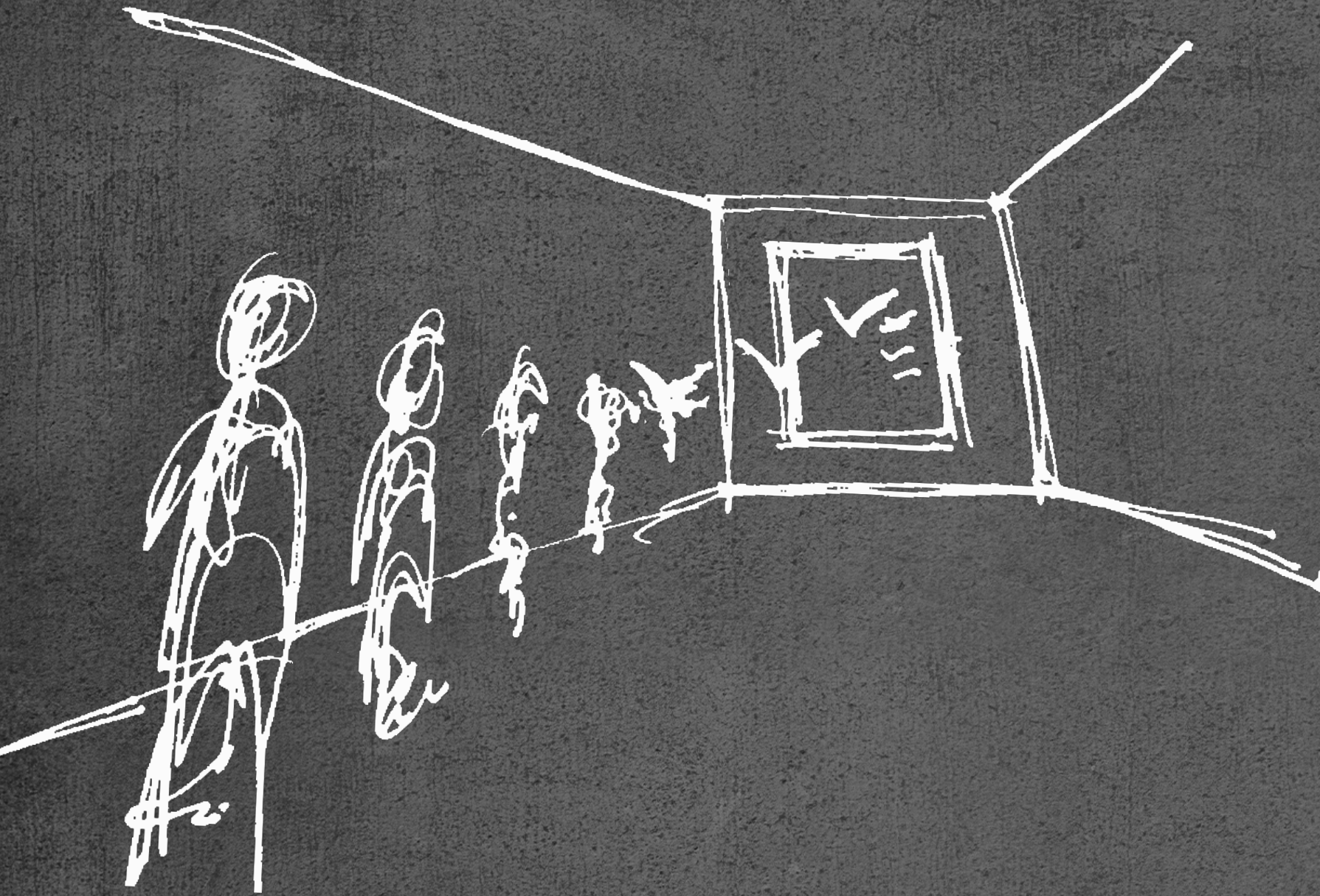




magis40

Create,
design,
deliver.

symposium magis40



The great Architect Hundertwasser in the manifesto «**La Dictature des fenêtres et le droit de fenêtre**» wrote that houses are not made of walls but of windows. «Les uns prétendent que les maisons se composent de murs. Moi, je dis que les maisons se composent de fenêtres».

When I first saw the object created by Uniform, the sentence by Hundertwasser immediately sprang to mind.

For the first time, after 30 years of designing, observing and studying windows and the way they are displayed at showrooms, I didn't see a window but a wall to be designed, where I could move freely to create, without that disturbance that has always led to compromise in a good furnishing project.

magis40 allows for democratic design of verticalisation of the wall, something that hitherto was not made possible by interior design, calling for obligatory "sealing" with arrogant and bullying windows.

magis40 has knocked down the wall of arrogance in window frames, it has provided the freedom to design beyond light and for light, channelling light itself and making it the key player in interior design.

magis40 allows the designer to play on full and empty, deciding whether to turn the window into the main player or an extra.

The strong ability to combine materials of magis40 and its great technical performance are a winning combination, one of its kind.

Giorgio Massimiliano Marchesi
Art Director

passion and technological innovation

uniform group

Our company produces systems, develops products and offers solutions in line with market demands and trends. Our challenge: to create a window frame with an exposed section of the sash of only 40mm and a concealed frame flush with the wall.





The frame flush with the wall

magis40 is design freedom. Freedom to express yourself and create new spaces with high living comfort. The room to be designed is not perturbed, which means that designers can freely create vertical elements, expressing their creativity with no constraints. The window becomes a fluid, subtle object that blends in with the home decor. For the first time, you can choose a window that is more of a design element than a technical one. magis40 leaves room for imagination and design.

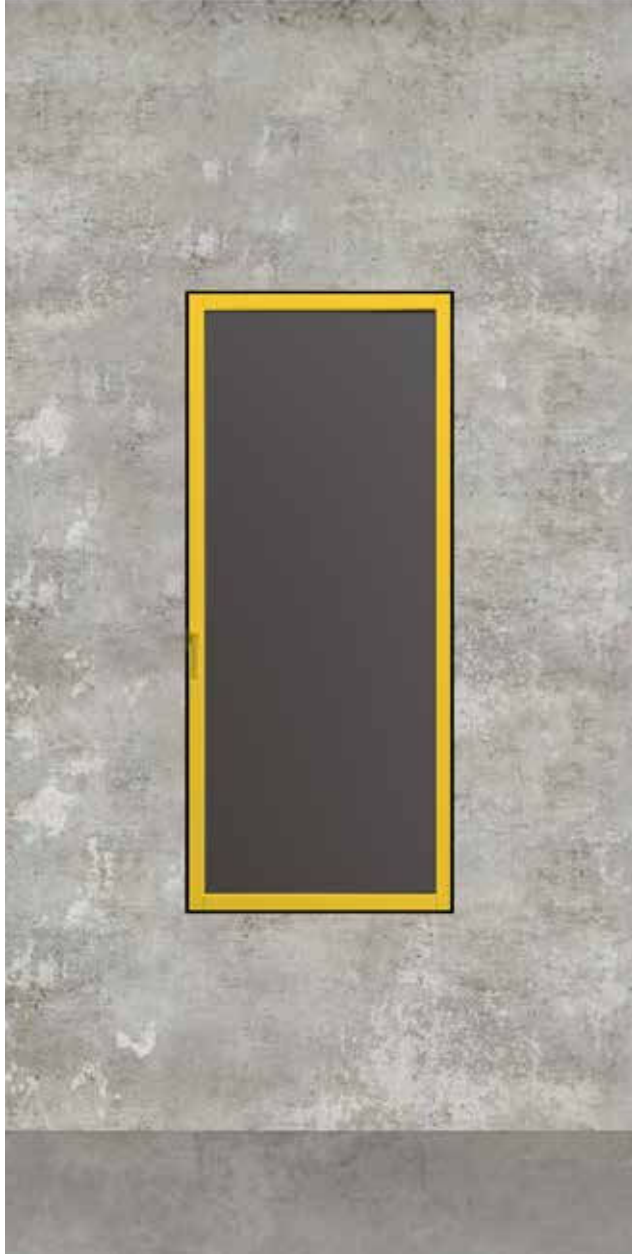
trace

the simplicity of design finds its line



synthesis

an extremely thin window



Minimal

With magis40, extreme, slim and elegant design in your toolbox.

Synthesis is at the heart of this line.

Renewed simplicity and functionality that evolve through the pursuit of clean, minimalist shapes combined with the rational use of natural raw materials.

Larger glazed surface, smaller wood section: light is the real star.

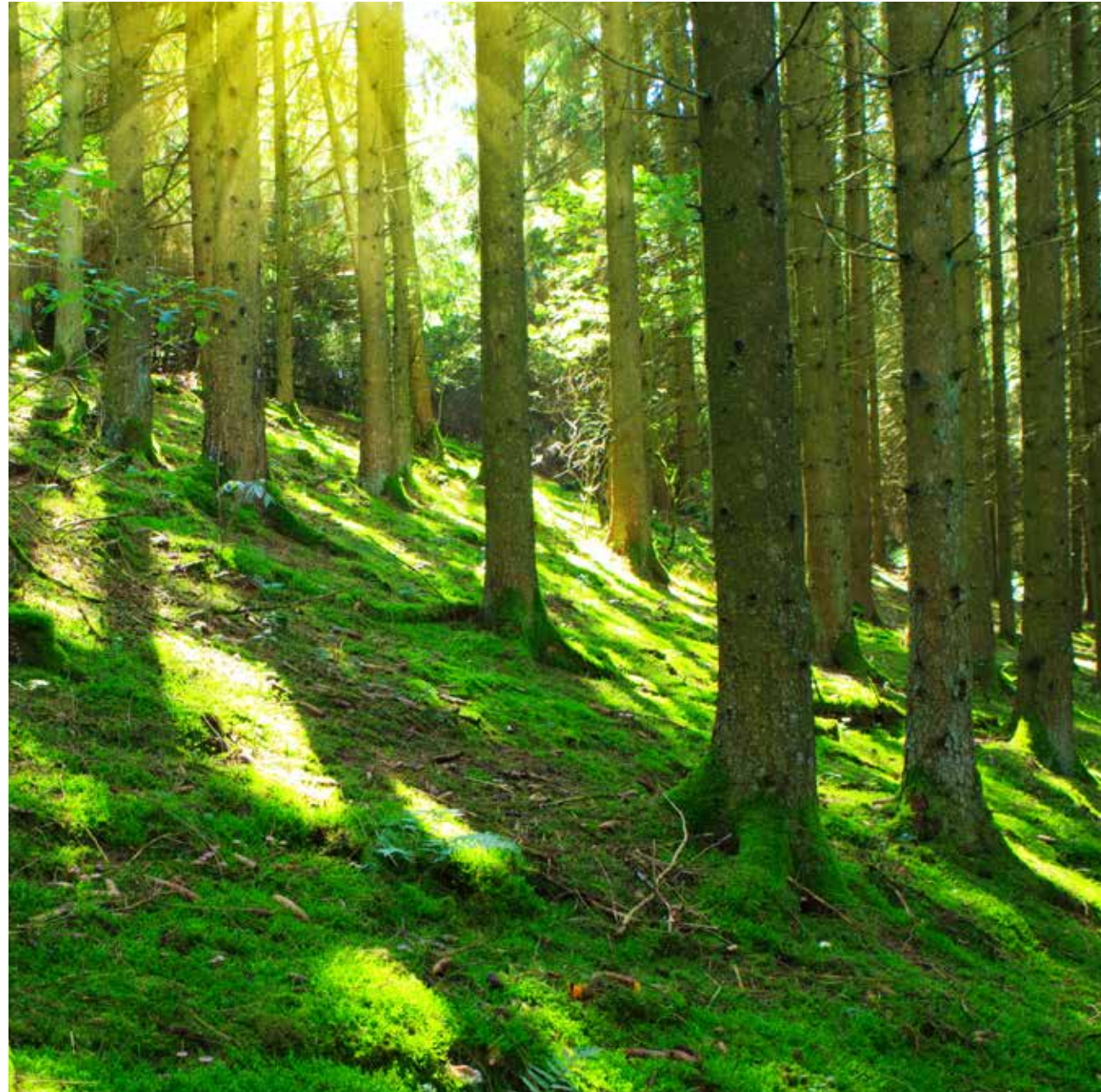




outfit

a customised,
original look

With magis40, the outfit concept enters the world of windows. magis40 is a concept that stimulates the creativity of designers and window and door manufacturers. A skilful, sophisticated mix that leaves plenty of freedom to interpret, experience and decorate windows with accessories and combinations to suit your style. We have designed our look down to the smallest detail, you can create your favourite outfit.



a conscious choice
nature

Sustainable

magis40 has a core made of glued laminated timber, because, for us, natural materials are always in vogue.

The glued laminated timber bar optimises the use of trees, without waste.

Moreover, the use of eco-friendly, planned reforestation techniques makes the magis40 window a sustainable product.

For uni_one bars, Uniform uses wood from FSC® certified forests only.

Wood: sustainable and technological.





Wood - Aluminium

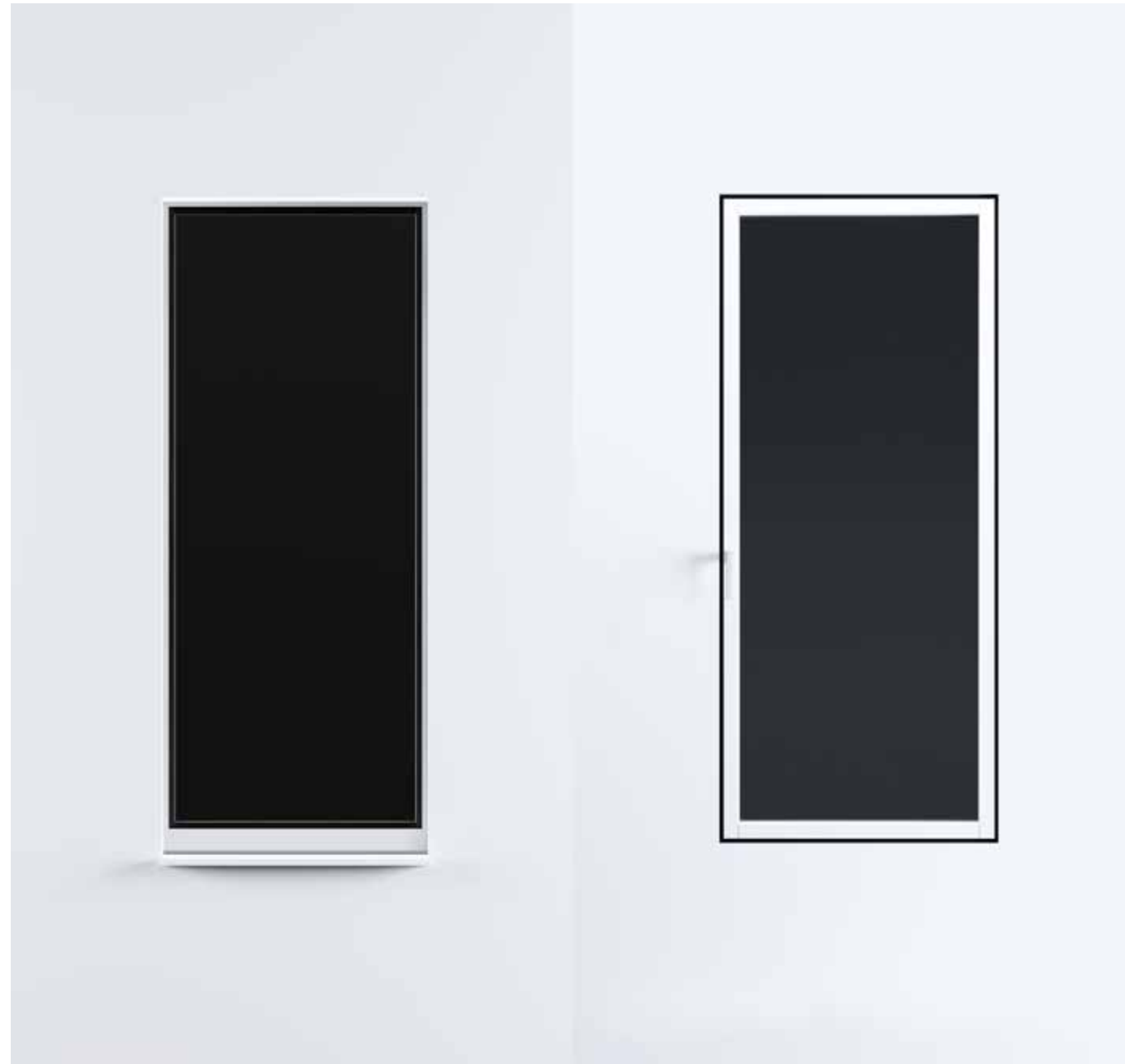
magis40 has a wooden frame inside, to offer the excellence of nature and, outside, it comes with a protective aluminium shield so as to avoid any kind of maintenance.

A range of windows that remain unchanged over time, both in terms of aesthetics and functionality.



the perfect combination
harmony





OUTSIDE VIEW

INSIDE VIEW

Excellent air permeability / water
tightness / resistance to wind load

The performance requirements achieved mark an important
milestone for minimal windows.

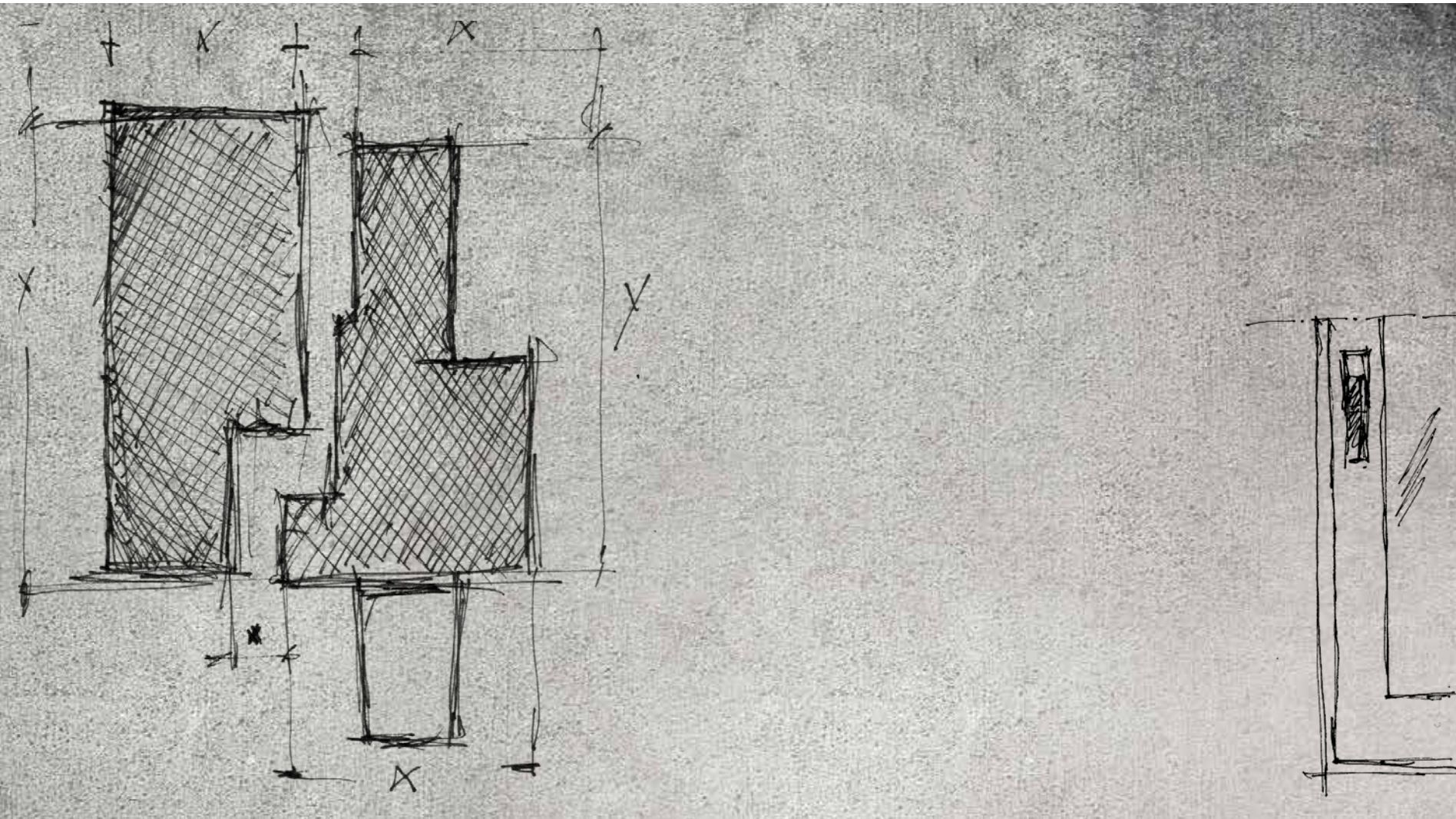
The magis40 window offers the option of inserting different types
of glass with different thicknesses, as well as certified installation.

an unprecedented technological challenge
performance

a range of international profiles

solutions

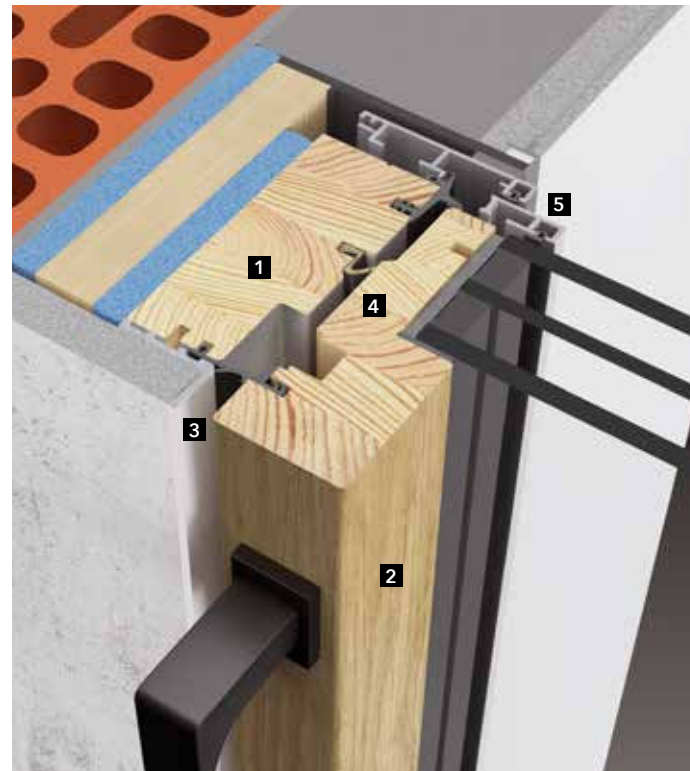
The magis40 programme is highly versatile and is available with different types of opening:
open-in / lift-&-slide / open-out



open-in model, extreme in size

magis40

The latest addition to the uni_one systems, it combines all the features of revolutionary technology in an absolutely trendy window. The exclusive concealed locking system of the fixed elements and the lack of rabbets in the sash, which are both patented elements, highlight the high-tech features of the system for magis40 windows.



- 1 glued laminated timber
- 2 oak veneer finish
- 3 aluminium flush profile for the installation to the wall
- 4 sash profile without rabbet
- 5 aluminium external frames

uni_one
magis40



Material		Wood-Aluminium
Thermal insulation		Uw= 1,1 W/m²K
Insulating glass		Double glazing thickness 33mm
Thermal insulation		Uw= 0,71 W/m²K
Insulating glass		Triple glazing thickness 48mm
Thermal insulation		Uw= 0,99 W/m²K
Insulating glass		Triple glazing thickness 48mm
Acoustic insulation		Rw up to 43 dB
Security hardware		Up to RC2

magis40 - 48mm glass
SOFT WOOD
Uf=0,96 W/m²K

Ug W/m²K	Uw W/m²K
0,5	-> 0,71
0,6	-> 0,78
0,7	-> 0,86
0,8	-> 0,94
0,9	-> 1,0
1,0	-> 1,1
1,1	-> 1,2

DOUBLE GLAZING Uw=1,1 W/m²K

TRIPLE GLAZING Uw=0,71 W/m²K

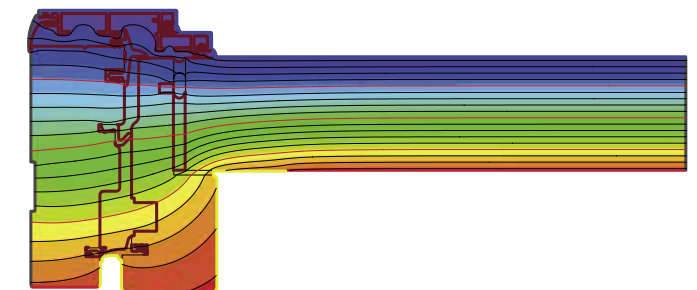
Dimensions in mm.	
Thickness of sash	110,5 x 40mm
Thickness of frame	118,5 x 40mm
Visible section sash + frame	79mm
Visible section middle clamp	89,5mm

Air permeability		CLASS 4
Water tightness		CLASS E1350
Wind load resistance		CLASS C5

The thermal transmittance values are calculated according to UNI EN 10077/1-2018, UNI EN 10077/2-2018, UNI EN 10456-2008, UNI EN 673-2011 standards, in reference to a window with 1 sash BxH (1500x1500mm, $\psi_g=0,04$ W/mK)

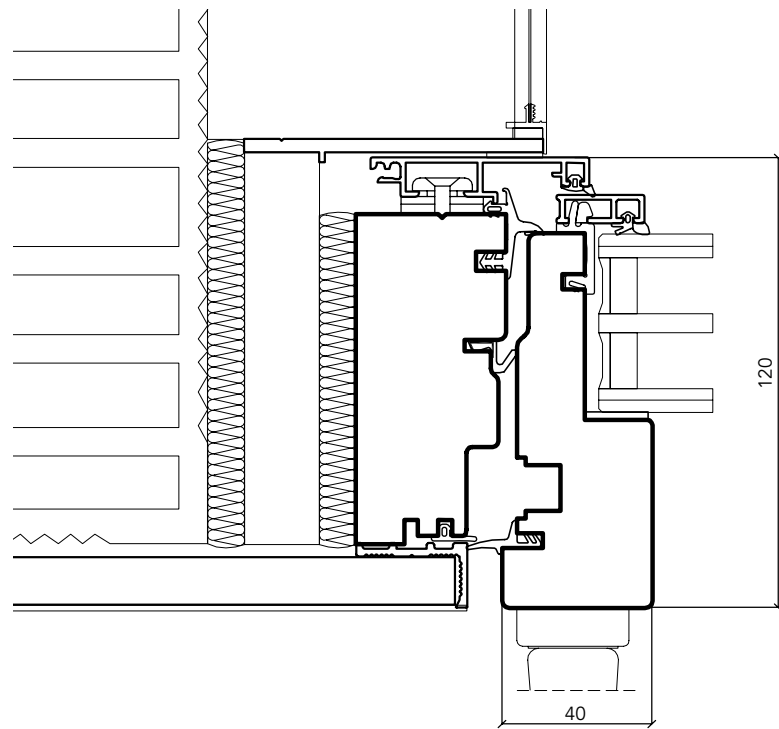
The air-water-wind tightness performances are certified in reference to a window with 2 sashes WxH (1500x1500mm)

The acoustic insulation values are certified in reference to a window with 2 sashes WxH (1300x1500mm)



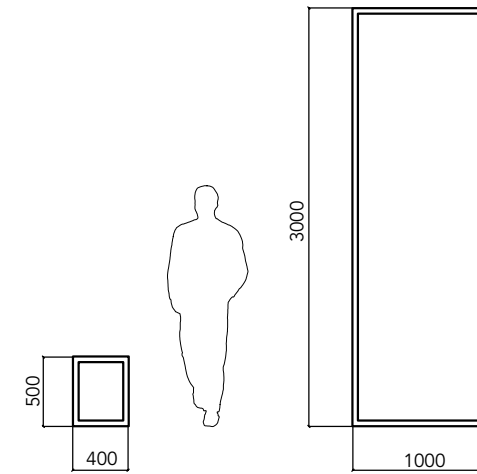
technical section

magis 40



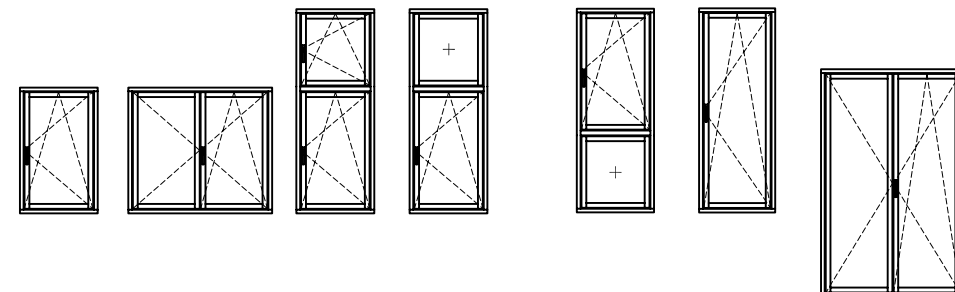
consistency measurements

the consistency measurements are approximate and vary depending on the glass and hardware used



types

some examples of possible configurations



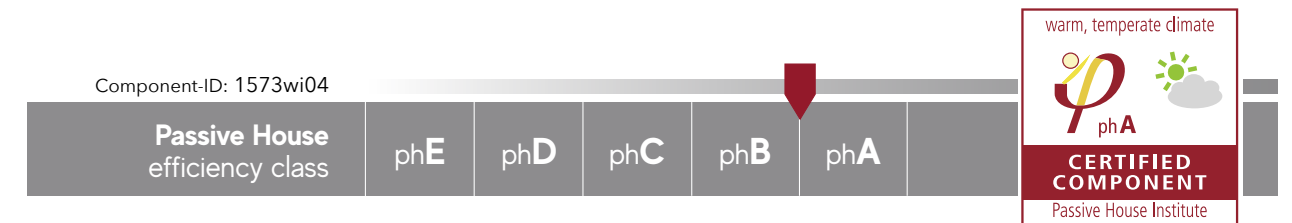
“Congratulations !

*You are the first
manufacturer to achieve
phA-efficiency class for
the warm, temperate
climate zone”*

*Technical Dept.
Passive House institute*



THE
MAGIS40
WINDOW,
OF THE
UNI_ONE
SYSTEM
by UNIFORM,
IS THE FIRST
WINDOW EVER
TO ACHIEVE
phA-EFFICIENCY
CLASS IN
CLIMATE ZONE 4



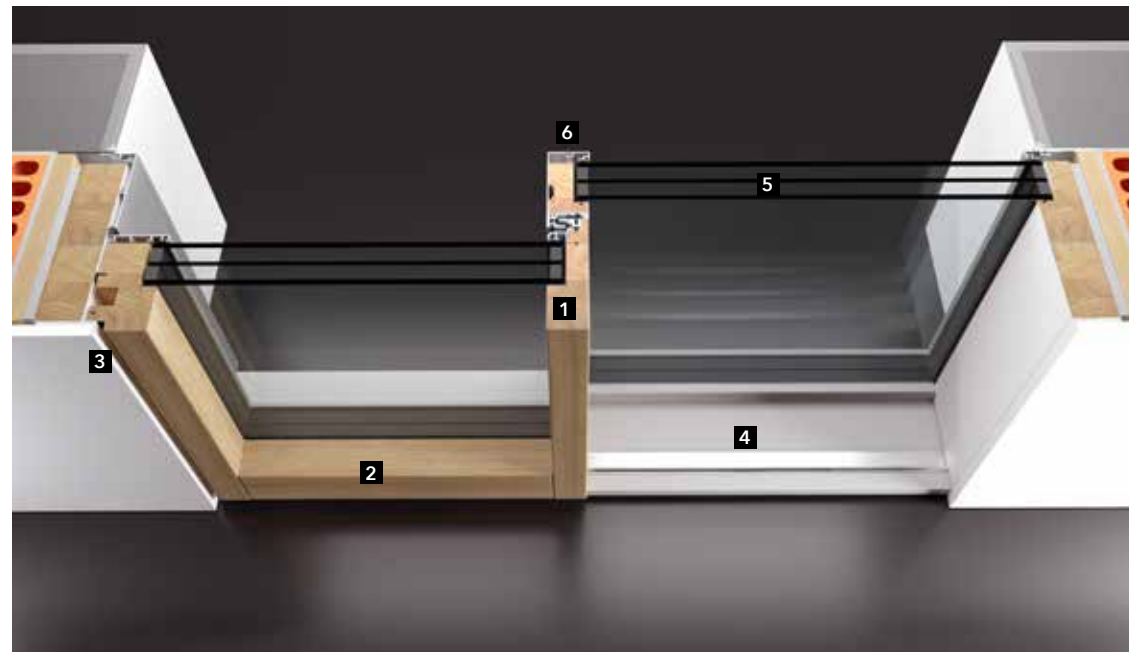
excellent living comfort

passive window

lift and slide model, technological elegance in motion

HS-magis40

One of a kind, the HS-magis40 is the lift and slide system that completes the minimalist line of the magis40. The HS-magis40 Uniform Kit, as with the casement one with the same name, makes it possible to install a window with an exposed section of the sash of only 40mm and a concealed frame flush with the wall.



- 1** glued laminated timber
- 2** oak veneer finish
- 3** profile for flush-wall installation
- 4** fibreglass floor sill
- 5** fixed glass concealed in the frame
- 6** aluminium external frames

uni_one^{...}
HS-magis40



Material	Wood-Aluminium
-----------------	----------------

Thermal insulation	Uw= 1,3 W/m²K	Uw= 0,85 W/m²K
Insulating glass	Double glazing thickness 32mm	Triple glazing thickness 52mm

Acoustic insulation	Rw 38 dB
----------------------------	----------

Security hardware	Up to RC2
--------------------------	-----------

Air permeability	CLASS 4
Water tightness	CLASS 9A
Wind load resistance	CLASS C4/B5
Wind load resistance for heights >=2,4m	CLASS C1/B2

The thermal transmittance values are calculated according to UNI EN 10077/1-2018, UNI EN 10077/2-2018, UNI EN 10456-2008, UNI EN 673-2011 standards, in reference to a lift-sliding door Plan A - WxH (2800x2400mm, $\psi_g = 0,04$ W/mK)
The air-water-wind tightness performances are certified in reference to a lift-sliding door Plan A - WxH (2800x2400mm)
Wind load resistance for certified height >=2,4m in reference to a lift-sliding door Plan A - WxH (4000x3200mm)
Certified acoustic insulation in reference to a lift-sliding door Plan A - WxH (3560x2960mm) double glazing with $R_w = 44$ (-2;-7) dB

DOUBLE GLAZING **U_w=1,3 W/m²K**

TRIPLE GLAZING **U_w=0,85 W/m²K**

HS-MAGIS40 - 32mm glass SOFT WOOD

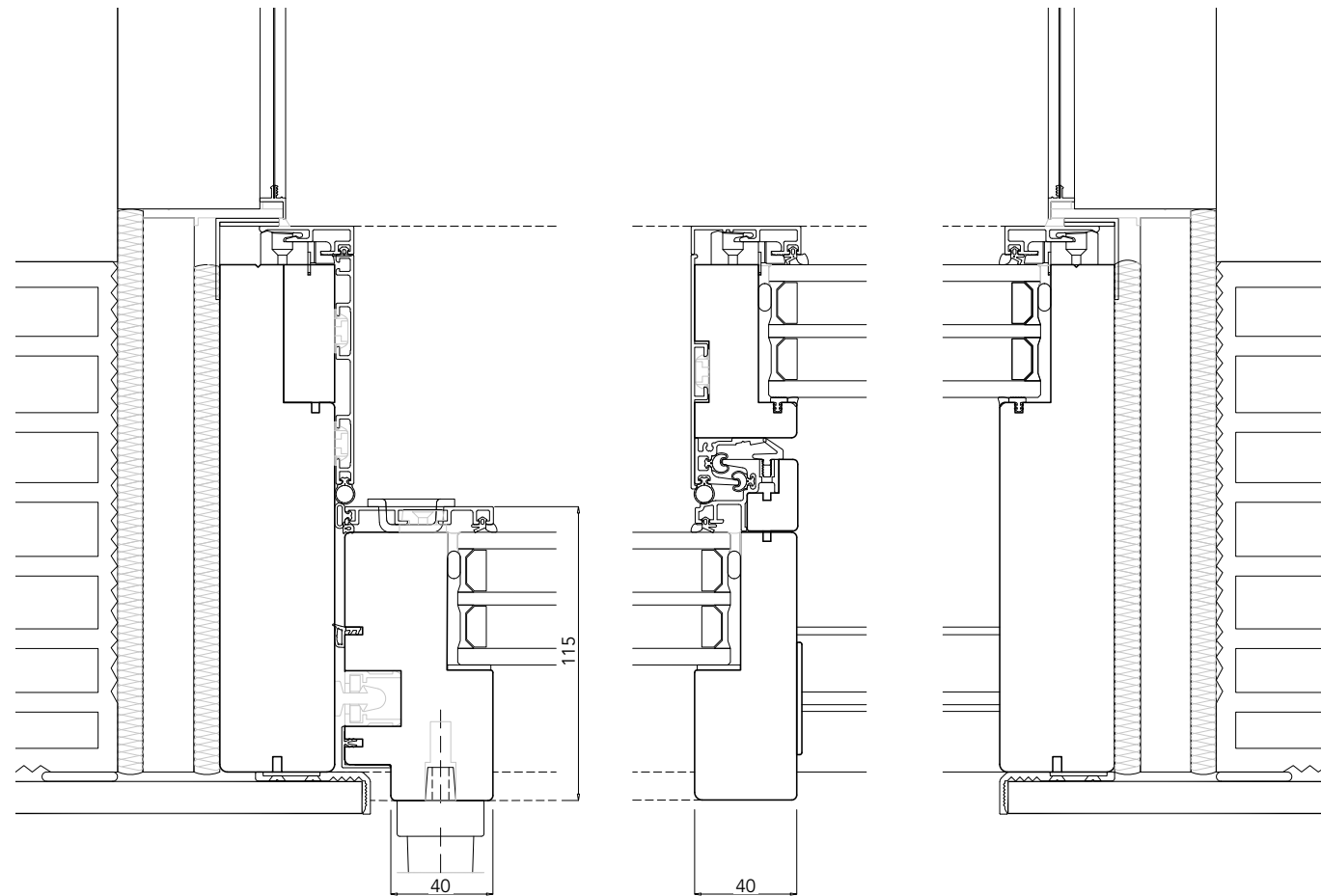
U _g W/m²K	U _w W/m²K
1,0	-> 1,3
1,1	-> 1,4
1,2	-> 1,5
1,3	-> 1,6
1,4	-> 1,7
1,5	-> 1,8
1,6	-> 1,8

HS-MAGIS40 - 52mm glass SOFT WOOD

U _g W/m²K	U _w W/m²K
0,5	-> 0,85
0,6	-> 0,95
0,7	-> 1,0
0,8	-> 1,1
0,9	-> 1,2
1,0	-> 1,3
1,1	-> 1,4

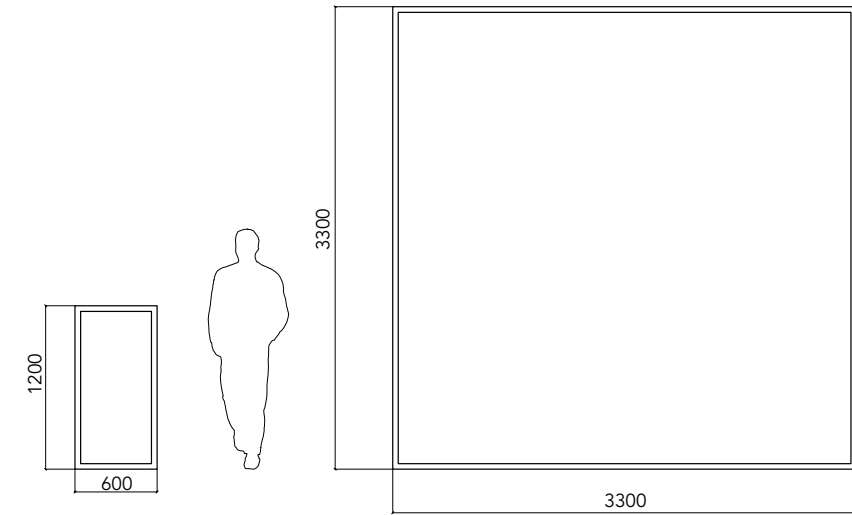
technical section

HS-magis 40



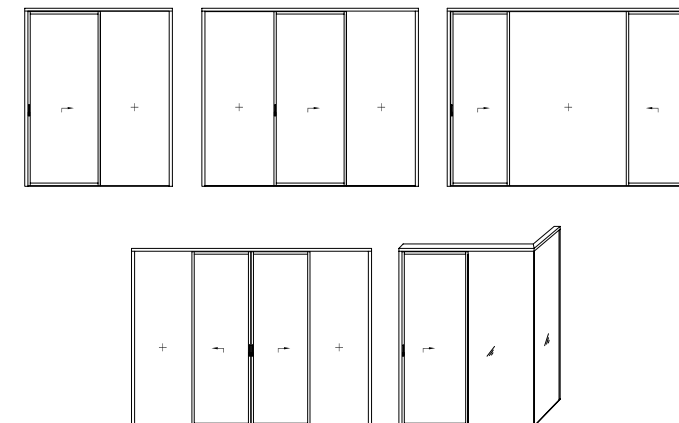
consistency measurements for openable sashes

the consistency measurements are approximate and vary depending on the glass and hardware used



types

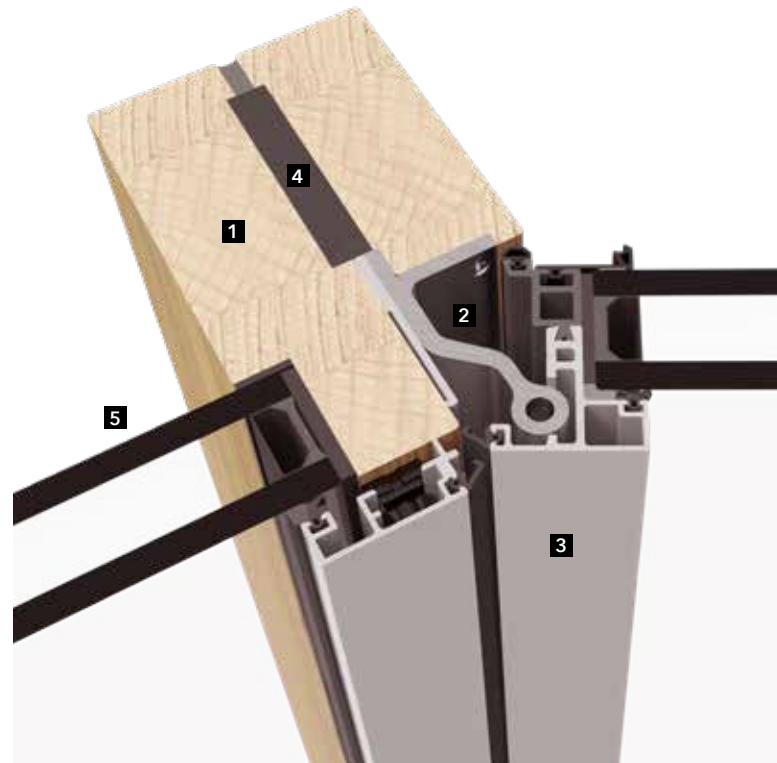
some examples of possible configurations



light, a key feature

format38

format38 introduces the concept of total overlap between the sash and frame to reduce the exposed section of both the wood inside and aluminium outside to just 38mm. This ensures 30% more light in the house, which translates into renewed spaces and improved quality of life.



- 1** glued laminated timber
- 2** concealed hinge in the sash profile
- 3** external aluminium profile
- 4** steel reinforcement
- 5** double and triple glazing

uni_one
format38



DOUBLE GLAZING $U_w=1,3 \text{ W/m}^2\text{K}$

TRIPLE GLAZING $U_w=0,85 \text{ W/m}^2\text{K}$

Material		Wood-Aluminium
Thermal insulation		$U_w= 1,3 \text{ W/m}^2\text{K}$
Insulating glass		Double glazing thickness 31-37mm
Thermal insulation		$U_w= 0,85 \text{ W/m}^2\text{K}$
Insulating glass		Triple glazing thickness 41,5-47mm
Acoustic insulation		Rw up to 42 dB
Security hardware		RC2N

Dimensions in mm.	
Overall dimensions	40 x 161mm
Visible section	40mm
Air permeability	CLASS 4
Water tightness	CLASS E1200
Wind load resistance	CLASS C4

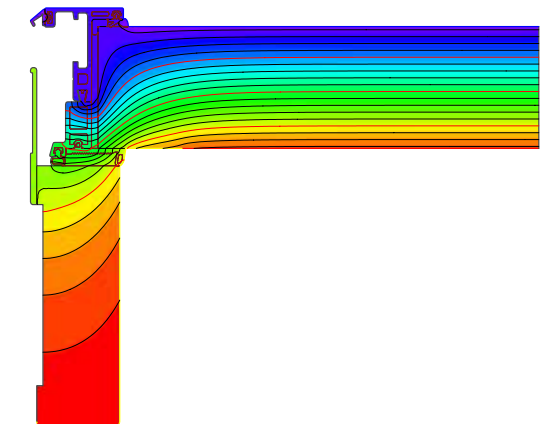
The thermal transmittance values are calculated according to UNI EN 10077/1-2018, UNI EN 10077/2-2018, UNI EN 10456-2008, UNI EN 673-2011 standards, in reference to a window with 1 sash WxH (1200x1400mm, $\psi_g= 0,04 \text{ W/mK}$)

The air-water-wind tightness performances are certified in reference to a window with 1 sash WxH (1000x2440mm)

The acoustic insulation values are certified in reference to a window with 1 sash WxH (1200x1400mm)

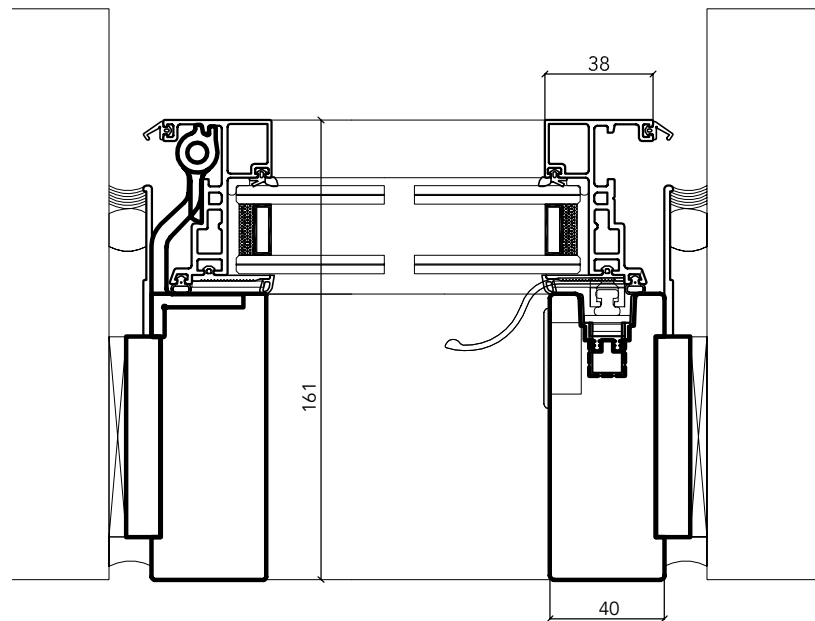
format38 - 41,5-47mm glass SOFT WOOD

$U_g \text{ W/m}^2\text{K}$	$U_w \text{ W/m}^2\text{K}$
0,5	-> 0,85
0,6	-> 0,91
0,7	-> 1,0
0,8	-> 1,1
0,9	-> 1,2
1,0	-> 1,3
1,1	-> 1,4



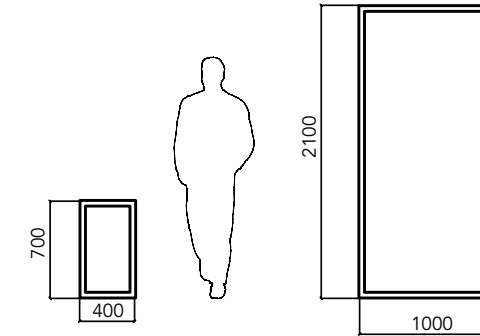
technical section

format 38



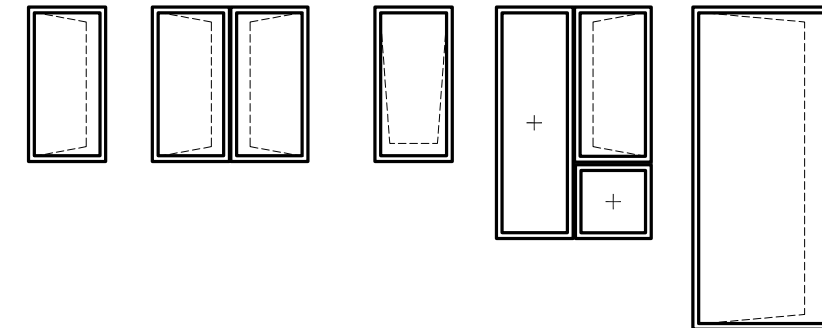
consistency measurements

the consistency measurements are approximate and vary depending on the glass and hardware used



types

some examples of possible configurations (top-hung / side-hung)





the world's slimmest wood-aluminium window

become a producer

Watch the video and discover the cutting-edge technology to revolutionise windows.





details
are not
for everyone

handles

For the exclusive magis40 program by uni_one technology, Uniform, in partnership with "Colombo Design", has selected a handle with high technical and aesthetic performance: the magis40 and HS-magis40 DK Zero handle.

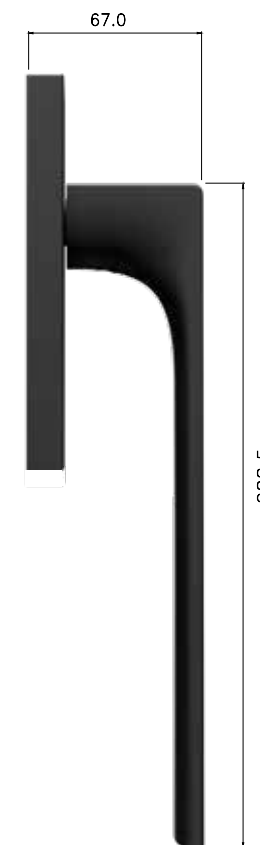
An innovative product with a distinctive stylistic signature style, where the almost total absence of space taken up by the washer further enhances the design of the window, actuated by a micro-movement that keeps the functional and usage characteristics unaltered.



magis40 DK Zero



HS-magis40 DK Zero



magis40

Produced with:
uni_one
TECHNOLOGY

uniform
sistemi per serramenti